

STATIONARY CENTRAL UNIT

For the Multiseries Sensors



Parameter options:

*Dissolved
Oxygen*



*Suspended
Solids*



MULTI

- Durable aluminium housing
- Plug & play sensors for suspended solids and/or DO
- Upgradeable for future sensors
- User friendly meny - Supports four languages

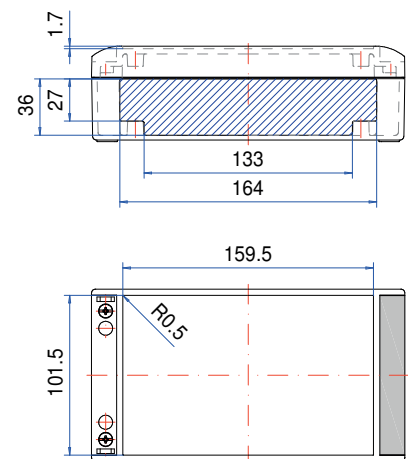
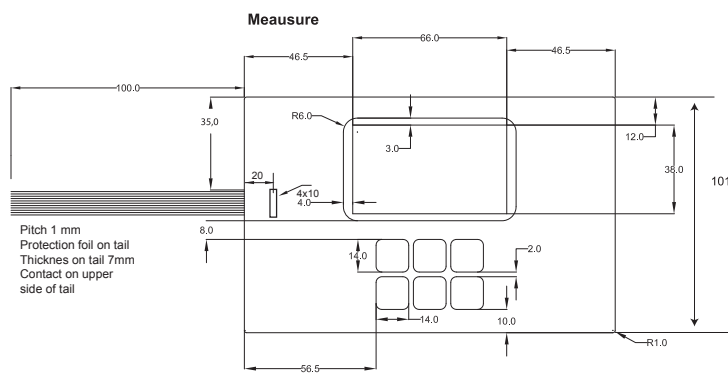
MULTIFIX

MultiFix is a stationary central unit for measuring parameters within water/wastewater as well as in other industries. Sensors are available for suspended solids and dissolved oxygen. Cable lengths 4, 8, 12 or 20 m, connects easily to the instrument via a plug-in-contact. Robust

aluminium housing with back lit display. User friendly menu, support four languages. Multifix can easily be upgraded to enable connection of future sensor models.

TECHNICAL SPECIFICATIONS

Accuracy output mA channels	0,1% FS
Output signal analogue	4 x 4-20 mA
Relay	2 (selectable NO/NC)
Calender	Yes
Temperature sensor central unit	Yes
Digital port, only for sending	RS232/RS422 simpel com, tabdel, No handshake
Display	Graphical, 128 x 64 pixles
Backlight	Yes
Languages	English, French, German, Swedish
Type of displaying	On-line continously
Ambient temperature range	-20 - +50C
Keypad	6 keys
Size	110 x 200 x 60 mm (hxbxd)
Supply voltages	110/240VAC, optional 12-36VDC and AC/DC (dual redundant)
Enclosure	IP67/ NEMA6
Atmospheric pressure sensor	Optional



Folie/ Keypad
101.4⁺⁰_{-0.2} x 159.4⁺⁰_{-0.2}

MULTI-SERIES

MultiFix is a part of the new Multi-series. Please note that this is a new range of sensors and central units which are not compatible with the Classic X-range of Cerlic sensors. The Multi-series includes sensors for

suspended solids, and dissolved oxygen. There are both a portable and a stationary central unit to choose from. The Multi-series is flexible and cost effective. The sensors are interchangeable.



CERLIC CONTROLS AB

P.O. Box 5084, SE-141 05 Kungens Kurva, Sweden • Tel: +46 8 501 694 00 • Fax +46 8 501 694 29

info@cerlic.se • www.cerlic.com